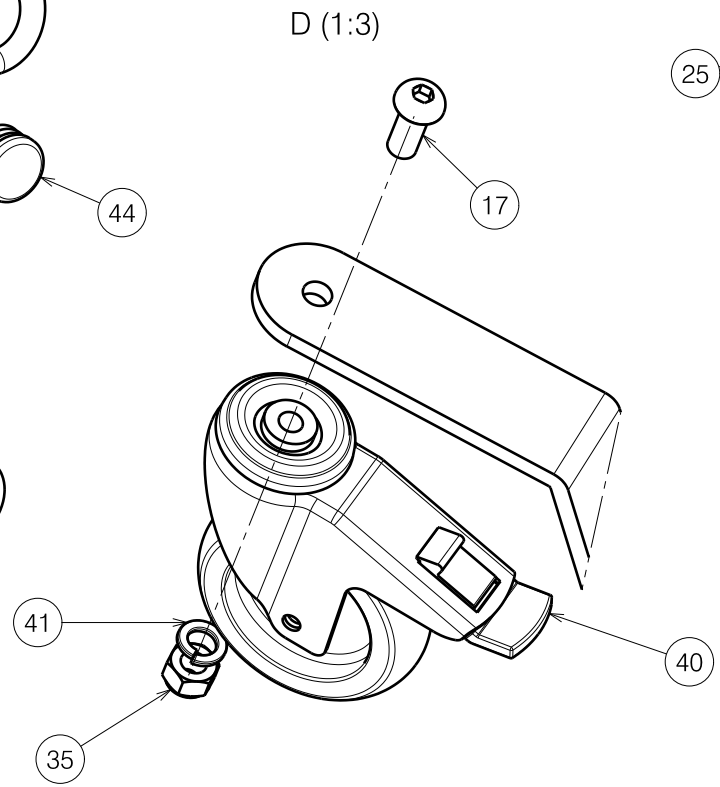
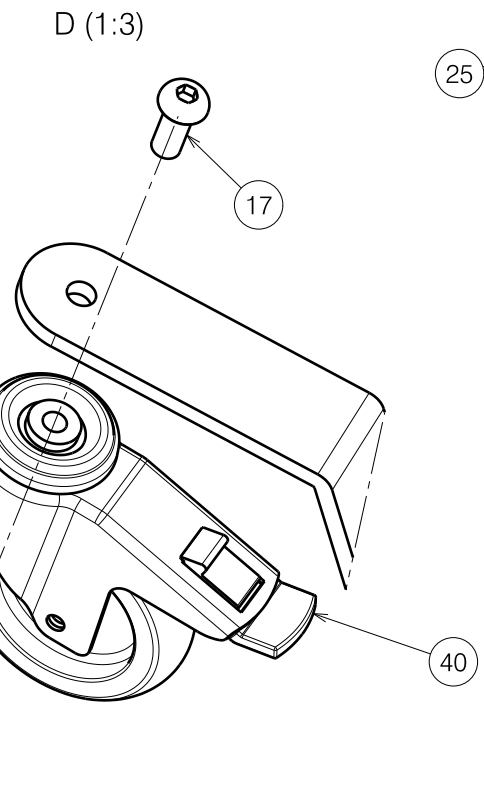
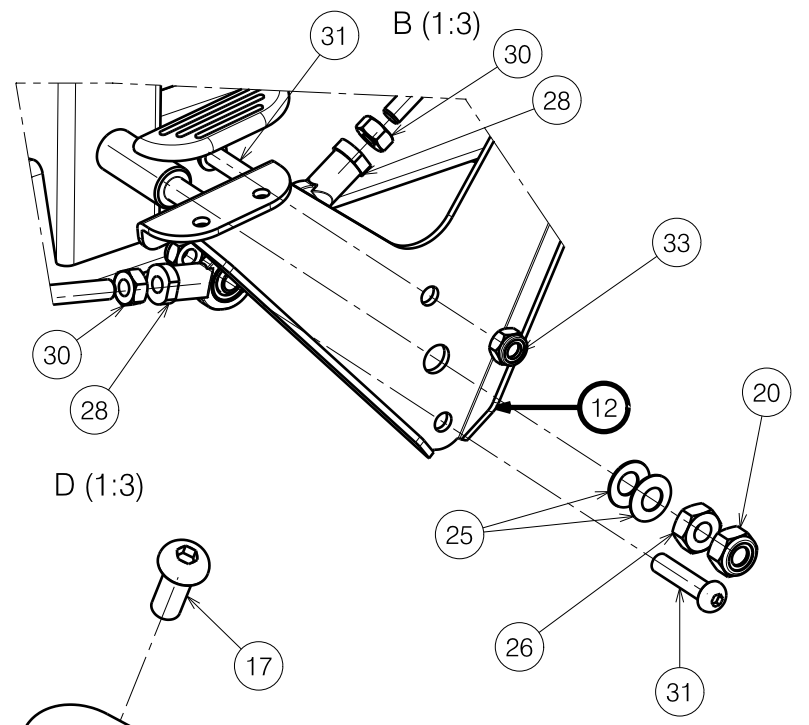
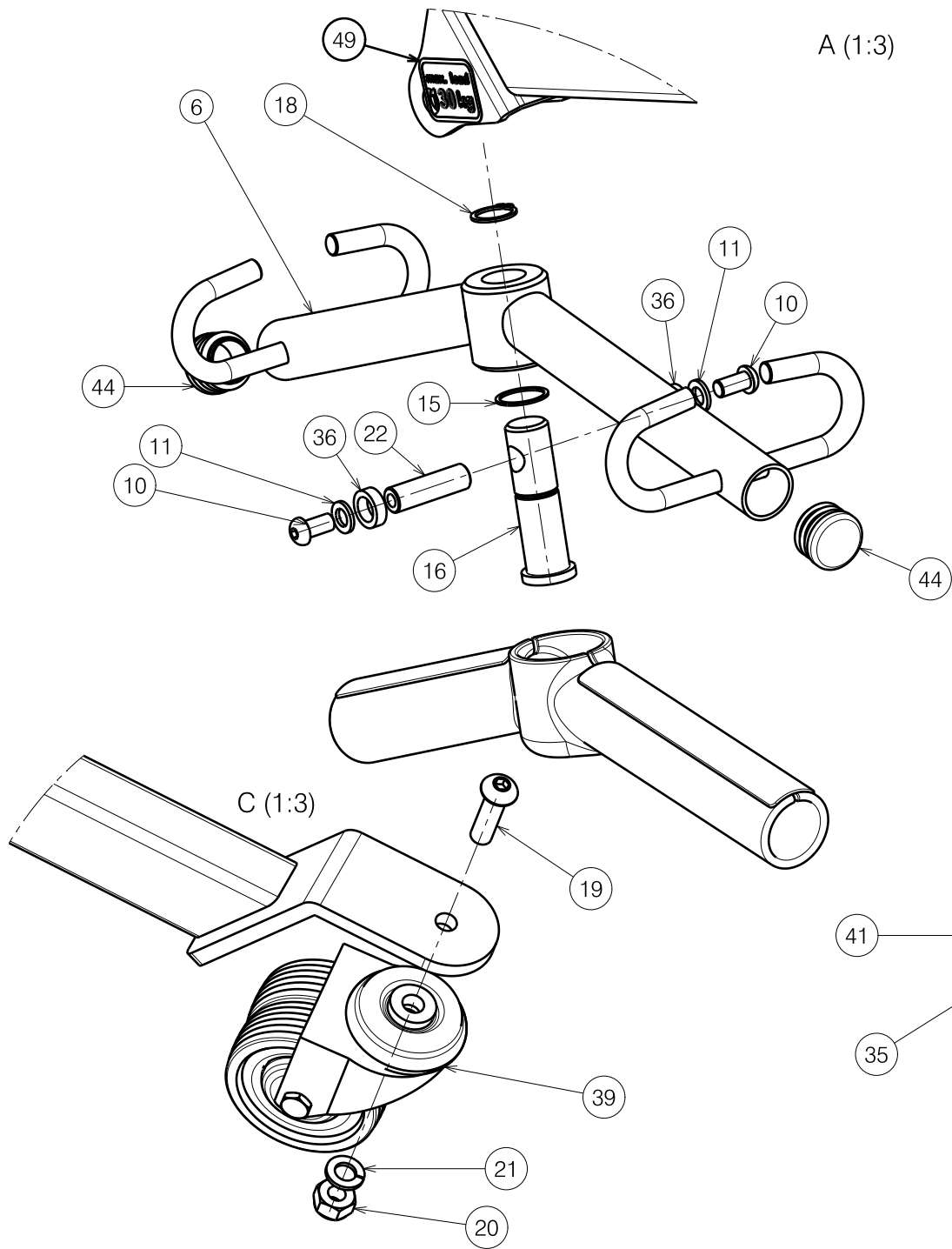


Sheet 1/4

Exploded View Falcon				-
				Plan No.
				E00042257/C_1.1
Scale:	1:1	Drafted	Verified	Confirmed
Date	10/08/2022	23/12/2022	23/12/2022	
Initials	MK	PM	TK	





Sheet 2/4

Exploded View Falcon				-
				Plan No.
				E00042257/C_1.1
Scale:	1:1	Drafted	Verified	Confirmed
Date	10/08/2022	23/12/2022	23/12/2022	
Initials	MK	PM	TK	



No.	Plan	Article	Qty
1	P00036542	2657806	1
2	P00038162	2657706	1
3	P00041195	2658106	1
4	P00041503	2658206	1
5	P00041510	2658306	1
6	P00038178	2658406	1
7	P00041119	1918901	1
8	P00040355	GP28200	1
9	M10x16	1903370	2
10	1991858	1991858	2
11	Washer M8 DIN125B	1001556	2
12	P00042524	2658554	1
13	Sterknop M8	1001580	1
14	1001558	1001558	2
15	Y016681	F006290	1
16	P00041505	GP28100	1
17	M12x30	2995568	2
18	Retaining ring DIN471	1904807	1
19	M10x35	1009442	2
20	Nut M10	1001683	3
21	Washer M10 DIN127	1001566	2
22	X004123	1692600	1
23	Pen D10x50	1998885	2

24	M10x30	2991162	4
25	Saucer spring	12296	2
26	Nut M10 DIN934	1001672	1
27	X004408	1711500	2
28	Knee joint M8	1006835	4
29	M8x40	1008739	2
30	Nut M8 DIN934	1001671	4
31	1993236	1993236	2
32	X001029	1375500	4
33	X001016	1001682	4
34	XP01931	2993584	1
35	Nut M12 DIN985	1001684	2
36	XP03232	GP26300	2
37	P00042258	1918904	1
38	P00042263	1918902	1
39	Wheel D75x50	1902764	2
40	Wheel D100x32	1001252	2
41	M12 spring washer	1001572	2
42	P00036546	GP28300	2
43	M6x70 DIN6912	1902583	2
44	Tube plug D28mm	1001606	2
45	P00042269	2658800	2
46	X004580	1904798	2
47	P00042842	2995611	1
48	P00042843	2995610	1
49	STICKER MAX. LOAD 130kg	2995632	2
50	STICKER LOGO FALCON	T001194	2
51	STICKER LOGO VERMEIREN	T001002	2

Sheet 3/4

-

Exploded View Falcon				Plan No.
				E00042257/C_1.1
Scale:	1:1	Drafted	Verified	Confirmed
Date	10/08/2022	23/12/2022	23/12/2022	
Initials	MK	PM	TK	




Slings - Non depicted

No.	Plan	Article	Qty
	Comfort Net L	1905480	1
	Comfort Net M	1905479	1
	Comfort Net XL	1905481	1
	Comfort PE L	1905251	1
	Comfort PE M	1905359	1
	Comfort PE XL	1905360	1
	Hyg. Net L	1905483	1
	Hyg. Net M	1905482	1
	Hyg. Net XL	1905484	1
	Hyg. PE L	1905250	1
	Hyg. PE M	1905357	1
	Hyg. PE XL	1905358	1
	Reg. Net L	1905476	1
	Reg. Net M	1905475	1
	Reg. Net XL	1905477	1
	Reg. PE L	1903823	1
	Reg. PE M	1903824	1
	Reg. PE XL	1905478	1

Sheet 4/4

-

Exploded View Falcon				Plan No.
				E00042257/C_1.1
Scale: 1:1	Drafted	Verified	Confirmed	
Date	10/08/2022	23/12/2022	23/12/2022	
Initials	MK	PM	TK	